



Installation Instructions and User Guide

**MATRIX & POWERPANEL
THERMOSTATIC SHOWER PANELS**

**IN THE EVENT OF ANY QUERY PLEASE CONTACT
THE NEWTEAM CUSTOMER HELPLINE**

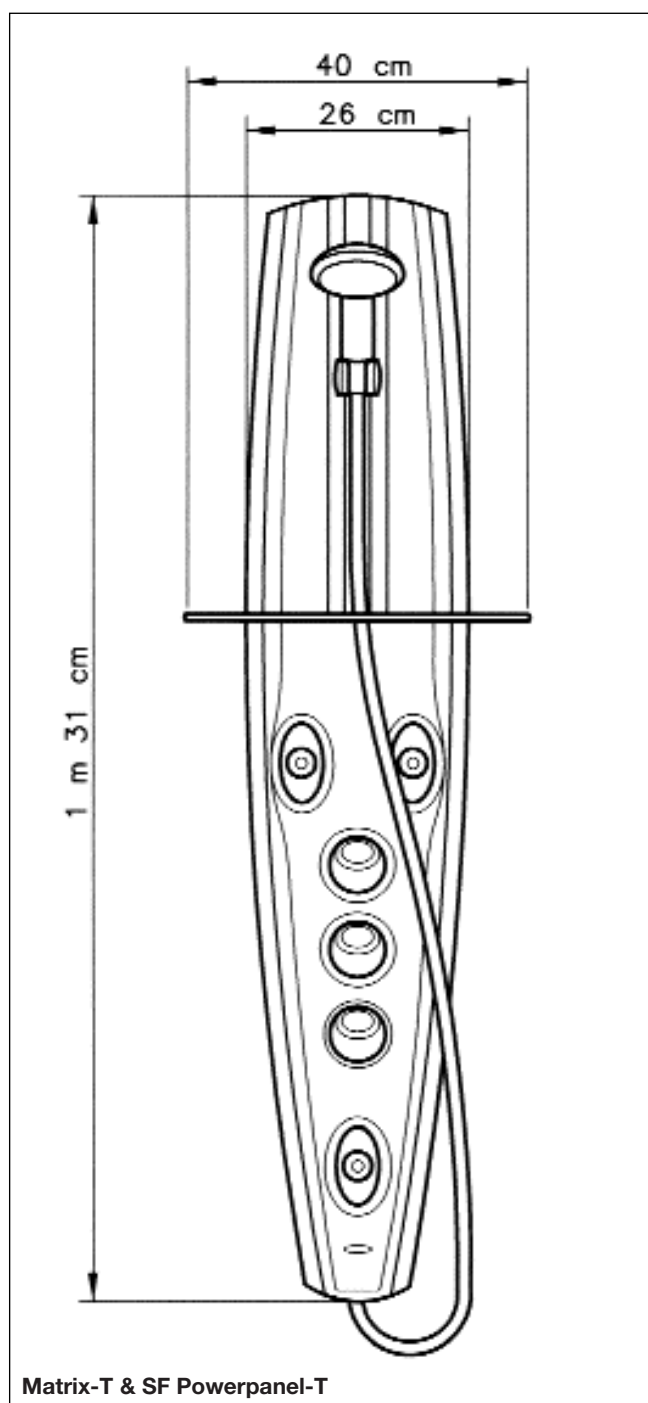
Tel : 01536 264 012

**PLEASE KEEP THIS BOOKLET
FOR FUTURE REFERENCE**

**DEAR INSTALLER WHEN YOU HAVE READ THESE INSTRUCTIONS
PLEASE ENSURE YOU LEAVE THEM WITH THE USER**

Matrix-T & Powerpanel-T

- Great new style, contemporary shower panel combining integral riser rail with handshower, and pulsating body jets.
- Supplied pre-plumbed with push-fit connectors for quick and easy installation.
- Stylish corner-fix design ensures maximum use of space in the enclosure.
- Thermostatic temperature control for maintaining desired showering temperature to +/- 1°C.
- Powerpanel-T has a built-in silent running shower pump.



Contents

Installation and Operating Instructions for Thermostatic Shower Panels

- Matrix-T
- Powerpanel-T

Please read this booklet carefully and ensure a competent person undertakes the installation.

Note: Following the headings in sequence will guide you through the installation and operation of your Shower Panel.

	Pages
PLANNING YOUR INSTALLATION MATRIX-T	3
• General	
PLANNING YOUR INSTALLATION POWERPANEL-T	4
• General	
• Plumbing	
• Electrics	
FITTING YOUR SHOWER SF MATRIX-T & SF POWERPANEL-T	3 - 4
USER INSTRUCTIONS	7 - 8
TROUBLE SHOOTING	5 - 6
SPARE PARTS LISTING	7 - 8
GUARANTEE	9

Refer to back cover for Guarantee, Customer Service and Replacement Parts Policy. In the event of any query regarding installation please contact the NewTeam Customer Service Department

Tel: 01536 264 012 • Fax: 01536 409 201

E-mail: service@newteam.co.uk • E-mail: spares@newteam.co.uk

In line with our policy of continual product development the specifications may be varied and product design altered. We reserve the right to depart from the details given in this manual without prior notice.

Matrix-T only

General

Minimum operating inlet pressure	0.7 bar (7 metres) running
Optimum operating inlet pressure	1.5 bar - 3 bar
Maximum static inlet pressure	10 bar
Maximum hot water temperature	65°C

We recommend a minimum of 115 litre (25 gallon) hot and cold water storage tanks and compliance with all water regulations.

Non restrictive isolating valves **must** be fitted into inlet supplies.

When connecting to supplies where the minimum operating pressure cannot be achieved, we recommend the installation of a showerforce shower pump. When fitting a pump to boost the pressure, it is important to comply with the installation instructions supplied with the pump.

If the shower is being operated at the minimum inlet pressure it will only be possible to operate one function at a time.

Ensure the shower is not positioned in an area subject to freezing.

Decide on the correct corner-fix position and select the appropriate height.

IMPORTANT:

If the shower panel is replacing an existing recessed shower valve it is recommended that the inlet pipework and wall surface are prepared prior to installation.

It is essential that pipework is flushed out prior to connecting the shower panel to remove debris likely to damage the valves.

Where pipework entry is from the rear of the panel, it should be aligned with inlet flexible connectors using 90° elbows (see Fig 1A).

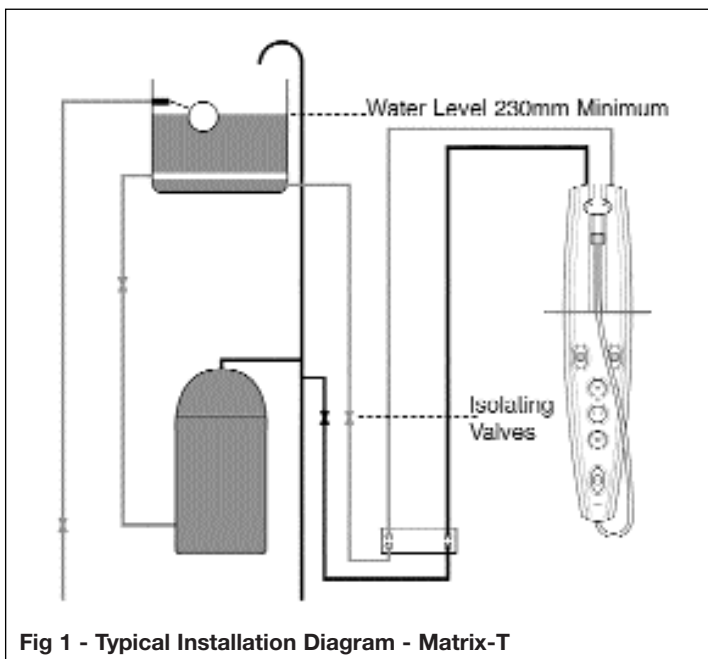


Fig 1 - Typical Installation Diagram - Matrix-T

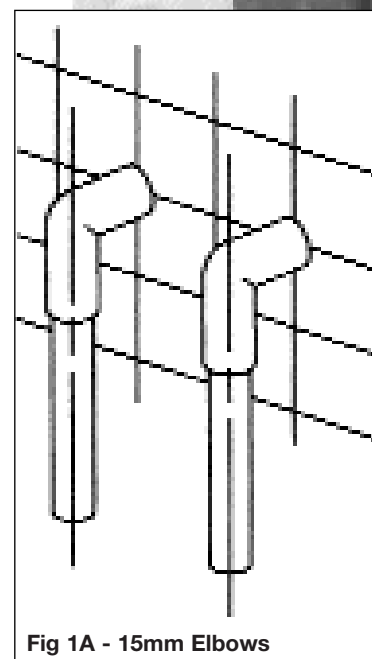


Fig 1A - 15mm Elbows



Planning your Installation

Powerpanel-T only

General

Decide on the correct corner-fix position and select the appropriate height.

IMPORTANT:

This must not be connected to mains water supply.

If the shower panel is replacing an existing recessed shower valve it is recommended that the inlet pipework and wall surface are prepared prior to installation.

It is essential that pipework is flushed out prior to connecting the shower panel to remove debris likely to damage the valves.

COLD WATER SUPPLY

- 22mm pipework reducing to 15mm for connection to shower.
- Maximum drop of 2 metres of 15mm pipework allowed for the final connection into the unit.
- Direct feed from the cold tank
- Feed from cold tank to be taken 25mm below the feed to the hot water cylinder to avoid supply of hot water only.
- Feed from the cold water tank must not be placed directly below the ball valve to avoid aeration.

HOT WATER SUPPLY

- 22mm pipework reducing to 15mm for final connection to unit.
- Feed to be taken as first draw off 150mm minimum below the expansion tee on the vertical pipe to minimise the effects of water drawn off elsewhere in the house.
- Maximum drop of 2 metres of 15mm pipework allowed for the final connection into the unit.
- Maximum hot water temperature 65°C

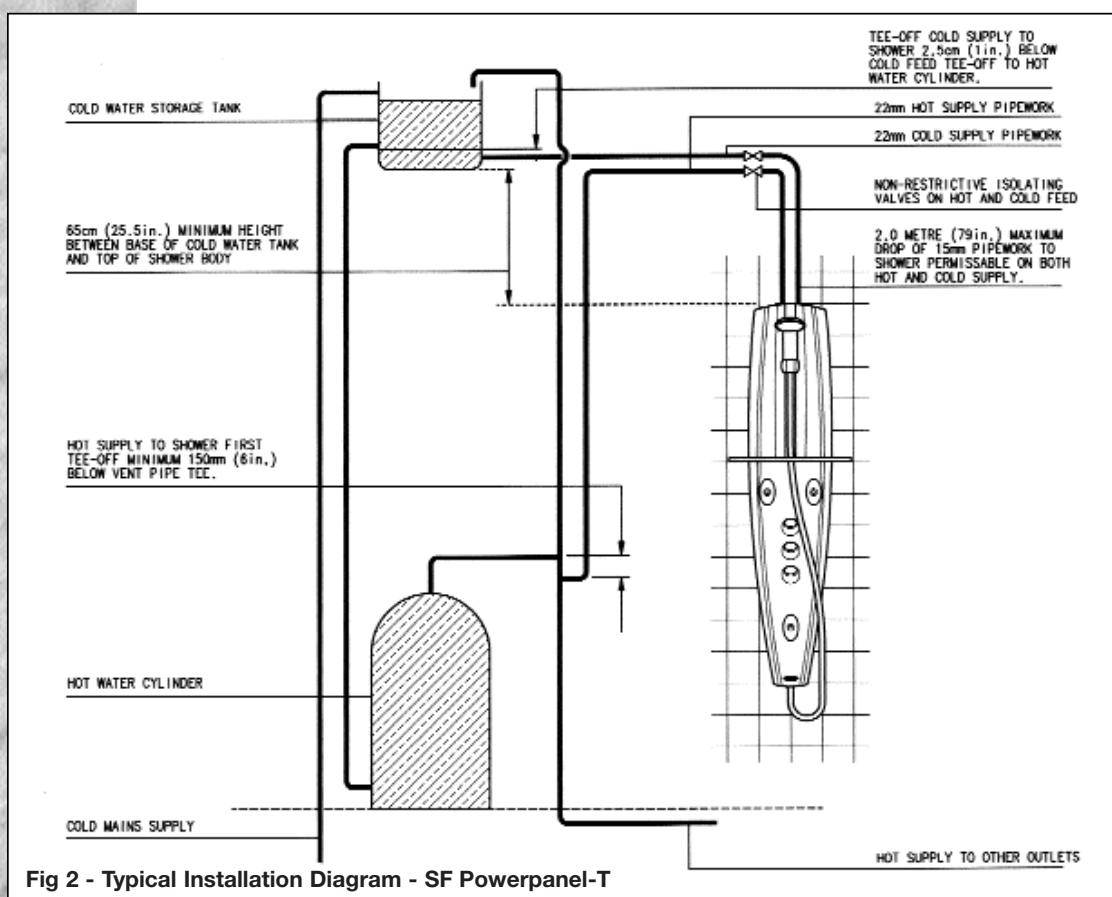


Fig 2 - Typical Installation Diagram - SF Powerpanel-T

Powerpanel-T only

Plumbing

- The Powerpanel is suitable for traditional gravity systems with stored hot and cold water. The cold water storage capacity must be a minimum of 115 Litres (25 gallons actual) and the static pressure no greater than 1 Bar - Fig 2.
- The distance between the base of the cold water storage tank and the top of the hot water cylinder must be 1 metre min, 10 metres max - Fig 2.
- The shower must be fitted with the top of the shower unit at least 1 metre below of the cold storage tank.
- The shower must be fitted on the finished tiled surface and in an area, which is not subjected to freezing conditions.
- The supply pipework to the shower must not rise above the base of the cold water storage tank.
- The shower can be fitted to a combination cylinder provided that it has a cold water storage capacity, of 115 litres (25 gallons actual). Where this criteria cannot be met then an Essex Flange must be fitted to prevent air being drawn down the expansion pipe and causing possible damage to the shower. Fig 3.

WARNING:

If any of the above requirements cannot be met then the shower should not be fitted.

IMPORTANT:

Ensure that the cold water storage tank is drained down and the electricity supply is turned off at the mains and remove correct circuit fuse before attempting to connect the water or the electric to the shower.

Isolating valves must be fitted on the feeds to the unit. These must be of a non-restrictive design.

Before drilling any holes for fixing your shower ensure that there are no hidden cables or pipework within the wall.

Electrics

All electrical wiring for the Shower must comply with the current I.E.E. Regulations which includes earth cross bonding to all metal pipework.

- The supply should be taken from a 230/240 volt A.C. ring main via a double pole switched fuse spur with a contact separation gap of at least 3mm, in each pole, fitted with a 3 amp fuse. The switched fuse spur must be fitted outside the shower room and in an accessible position.
- The cable from the fused spur to the shower unit should be either 1.0mm² twin & earth or a 0.75mm² flexible 3-core cable.

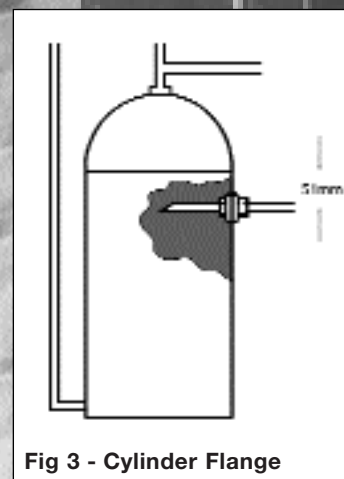


Fig 3 - Cylinder Flange

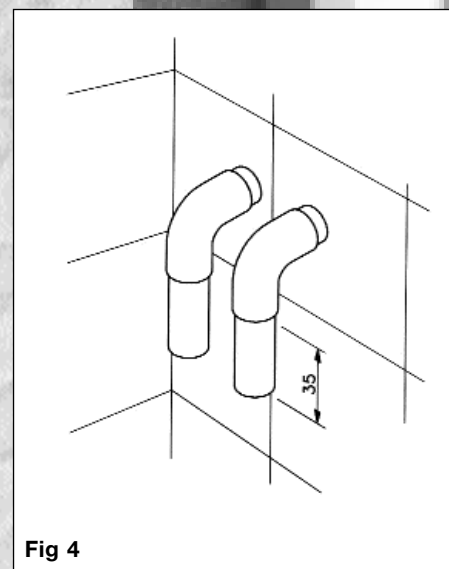


Fig 4

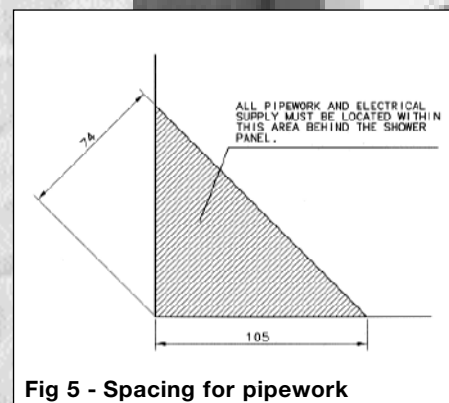


Fig 5 - Spacing for pipework

Matrix-T & SF Powerpanel-T

NOTE: This product is suitable for surface mounted supply from above and rear supply as detailed below. It is not suitable for surface mounted pipework from below. Supply pipework should be hot on the left, cold on the right.

Matrix-T panel

1. Whilst making allowance for the height of individual shower users, hold the Matrix shower panel in position in the corner of the shower enclosure.
2. With a soft pencil or washable ink pen mark the wall at the top edge of the shower panel.
3. The Matrix shower panel should now be removed from the shower enclosure whilst you fit the wall mounting brackets and bring in the supply pipework.
4. Offer up the upper fixing bracket and mark the two wall fixing centres approximately 120mm below the mark you made indicating the top of the panel.
5. Drill the wall, fit the wall plugs provided and screw the bracket to the wall.
6. Offer up the lower fixing bracket and mark the single wall fixing centre at a position 1065/1075mm below the upper bracket wall fixing centres.
7. Drill the wall, fit the wall plug provided and screw the bracket to the wall.
8. If supply pipework is surface mounted from above it should be brought down the wall and pass behind the upper fixing bracket.
9. If supply pipework is rear entry (ie. not surface mounted) 90 degree elbows should be used along with a straight tail pointing downwards of at least 35mm in length (see fig 4).
10. All supply pipework should be brought down the wall or exit the wall within the space detailed in fig 5.
11. All supply pipes whether from above or behind should be cut off 245/265mm below the lower edge of the upper fixing bracket.
12. Flush out all pipework.
13. Offer up the Matrix shower panel and hang it on the upper fixing bracket. The angled tongue on the upper fixing bracket located in the slot towards the top of the unit.
14. Whilst pivoting the bottom of the unit away from the wall push-fit the flexible connectors to the supply pipework ensuring hot is on the left and cold on the right.
15. Gently lower the bottom of the unit and with the screw provided screw the unit to the lower fixing bracket.
16. Finally fit the upper bracket fixing screw.

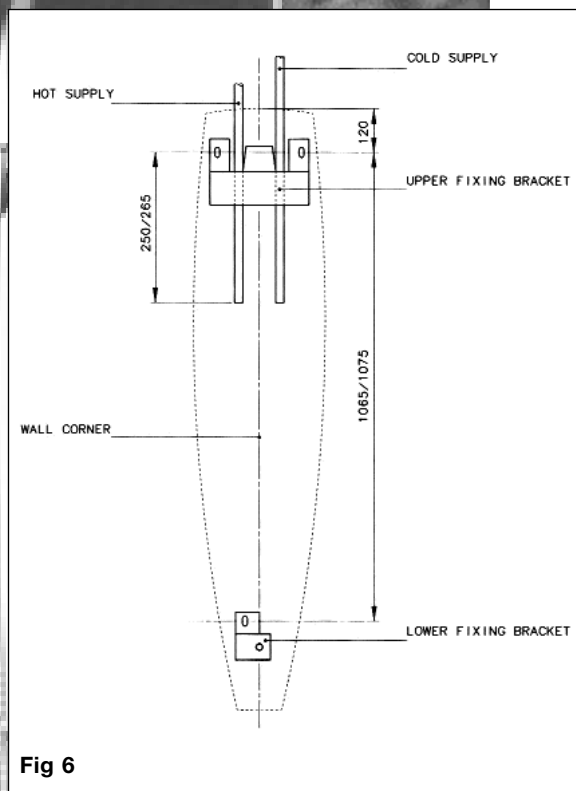


Fig 6

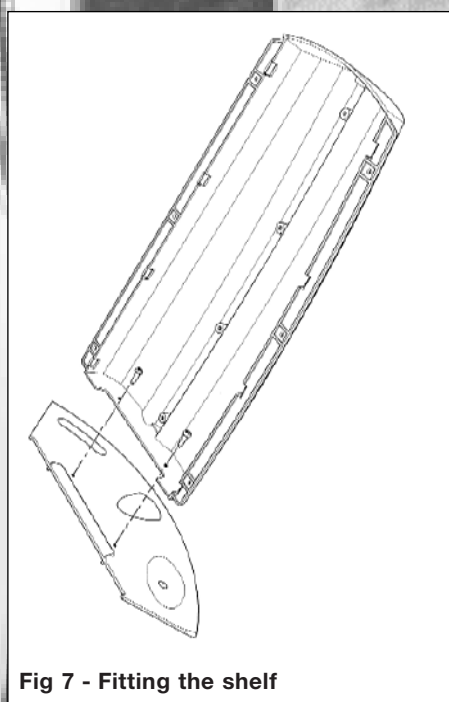


Fig 7 - Fitting the shelf

Powerpanel-T

Fitting of the power shower panel is exactly the same as the Matrix with the addition that the electrical power supply must be brought down the wall from behind in the same way the supply pipework is fitted.

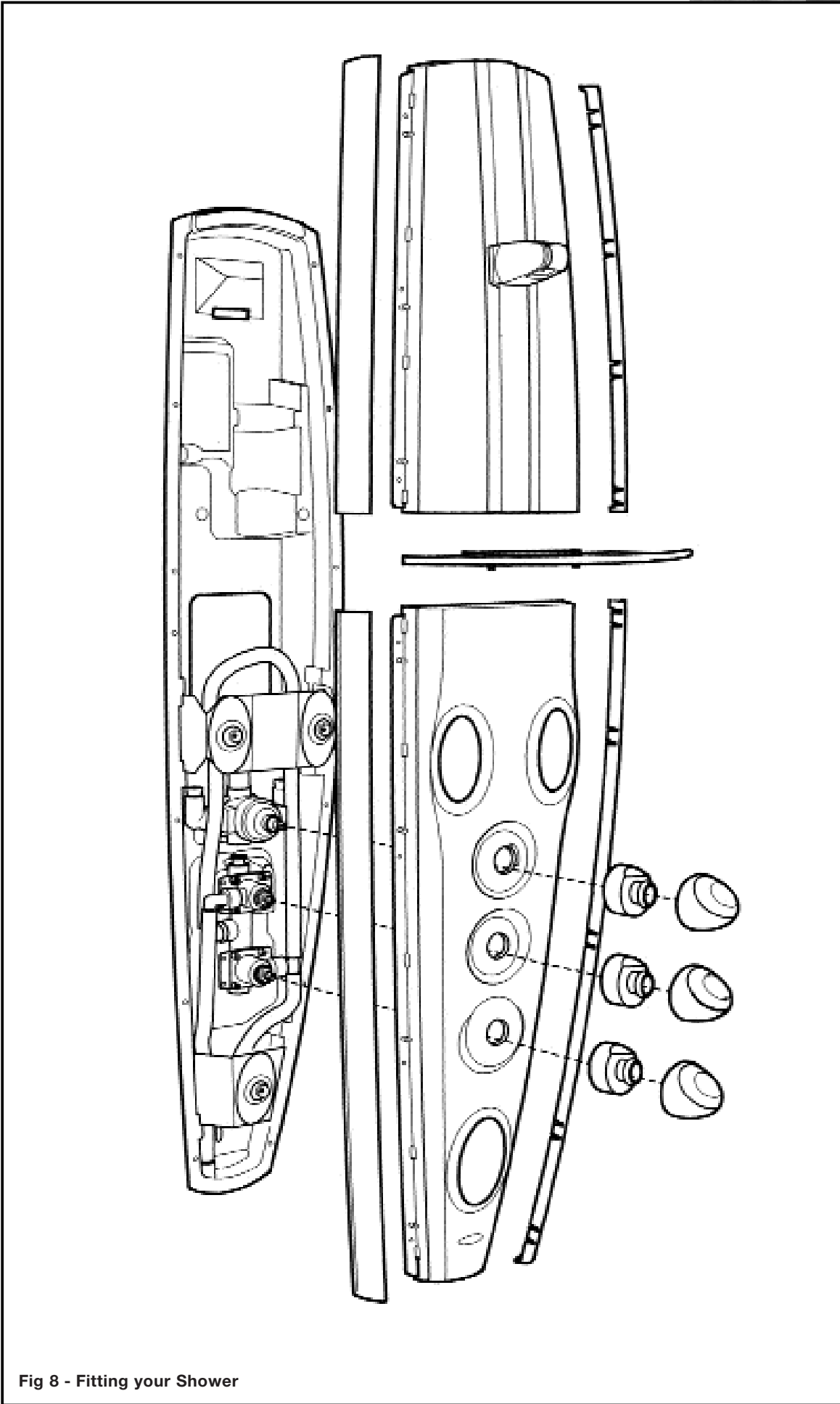


Fig 8 - Fitting your Shower

Commissioning

Powerpanel-T Only

1. Attach the shower hose to the outlet connection using the rubber washer provided. (Do not fit the handset at this stage).
2. With the shower valve turned off, turn on the water supplies only.
3. Turn the shower on and allow the water to flow until all the air is purged through. This may take several minutes and it may help to immerse the end of the hose in a bucket of water to see the bubbles of air expelled.
4. Thread the hose through the hose retaining ring in the shelf, fit the handset, and turn on the electricity supply.
5. Locate the handset into position by locating the conic nut, on the end of the hose, into the cradle of the handset holder.

Your Shower Panel is now ready to use.

If a higher or lower temperature is required for the over-ride setting then refer to the next page, Adjusting the Temperature Limit.

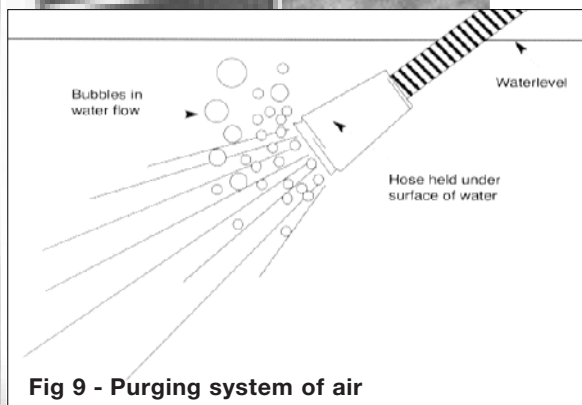


Fig 9 - Purging system of air

Temperature Adjustment

Matrix-T & Powerpanel-T

The valve allows the maximum showering temperature to be set at a safe level, preventing accidental scalding. This setting should be made during commissioning and will require that the hot water cylinder is at its normal operating temperature.

IMPORTANT:

- The handset must be in the spray mode.
- We recommend the reading of User Instructions before proceeding further. This will familiarise you with the operation of the shower.

Procedure:

Turn the brass mixer valve spindle fully clockwise, and then anti-clockwise until the black line on the spindle is aligned with the groove on the mixer body, and fit the control knob in the fully cold position. Check that it is correctly fitted by turning fully clockwise to the stop, pull the knob off and check that the black line and groove are aligned. Adjust if necessary. This sets the shower temperature to 38-40°C, with the control knob pointing to "12 o'clock", if the hot water is at the recommended 65°C.

User Guide - Fig 10

1. To operate the overhead handshower, turn the middle control knob clockwise by 90° (1).
2. The handset (2) has 3 spray modes which are selected by rotating the bezel around the spray head.
3. The handset holder (3) has a friction grip on the rail and simply slides up and down to adjust the height. The angle of the handset in the holder has 5 spring-loaded positions. To adjust, grip the handset handle next to the hose nut, and move it to it's required position.
4. To operate the body jets, turn the bottom control knob clockwise by 90° (4).
5. Adjust the shower temperature of either the overhead handshower or the body jets by turning the top control knob anti-clockwise (5) - towards red, for warmer temperature, and clockwise - blue for cooler.
6. Setting the temperature knob in the same position in future will give the same showering temperature when next using the shower.

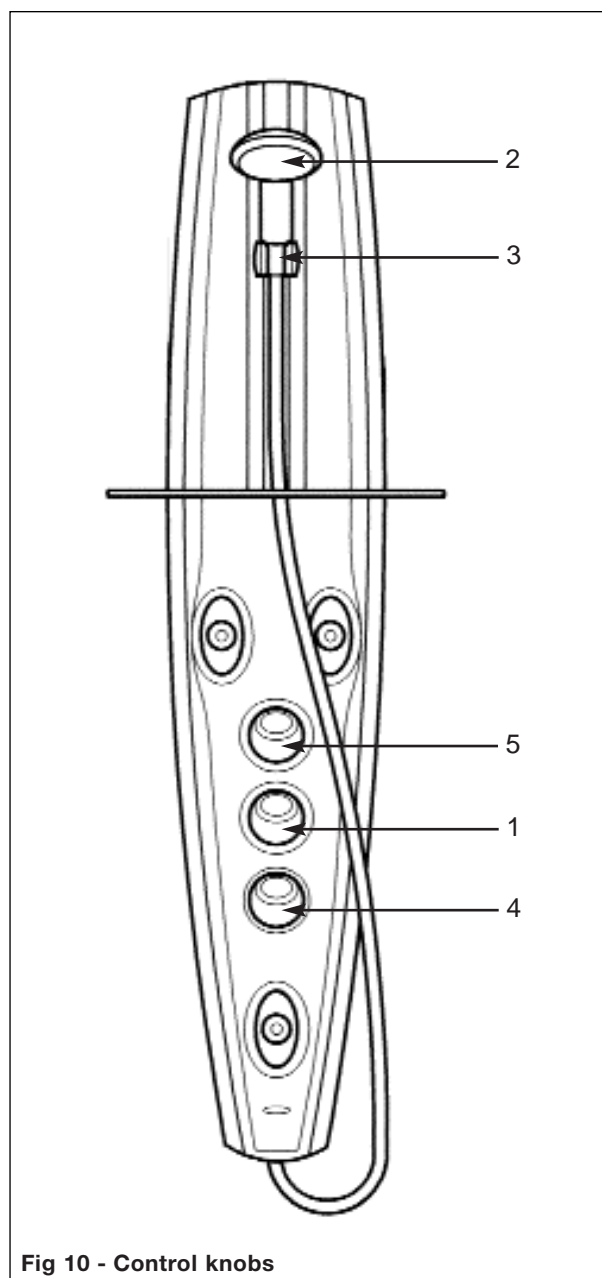


Fig 10 - Control knobs



Troubleshooting

Matrix-T

Symptom	Likely Cause	Action/Remedy
No water flow	Isolating valves turned off	Turn valves on
	Air-lock in pipework	Contact installer
Poor performance	Restriction in the hot or cold supplies	Contact installer
Unit passes water when turned off	Valve cartridge faulty	Contact Customer Service Department 01536 264012

Powerpanel-T

Symptom	Likely Cause	Action/Remedy
Pump not operating	Electric supply not switched on	Check all fuses and electric supply
	Flow switch not working	Contact Customer Service Department 01536 264012
Pump operates when the unit is switched off	Flow switch is faulty	Contact Customer Service Department 01536 264012
No water flow	Isolating valves turned off	Turn valves on
	Air-lock in pipe	Contact installer
	Pipework to shower runs above cold water storage tank	Re-pipe in accordance with installation guide
Poor performance	Restriction in the hot or cold supplies	Contact installer
	Pump not operating	Contact installer
Unit passes water when turned off	Valve cartridge faulty	Contact Customer Service Department 01536 264012

Matrix-T Spare Parts

Part No.	Description
SP-074-0103-CP	Body Jet Assembly
SP-074-0105-CP	Temperature Knob Assembly
SP-077-0148	Thermostatic Cartridge
SP-074-0018-CL	Soap dish/gel tray
SP-76-0063-BL	Inlet Hose (Cold)
SP-76-0063-RD	Inlet Hose (Hot)
SP-074-0029	Upper Fixing Bracket
SP-074-0030	Lower Fixing Bracket
SP-074-0019*	Upper Left Trim
SP-074-0020*	Upper Right Trim
SP-074-0021*	Lower Left Trim
SP-074-0022*	Lower Right Trim
SP-280-0101*	Central Slider Assembly
SP-074-0106-CP	Selector Knob Assembly
SP-285-0006-CP	Hose 1.5
SP-168-0204-CP	Handset

* Please state colour

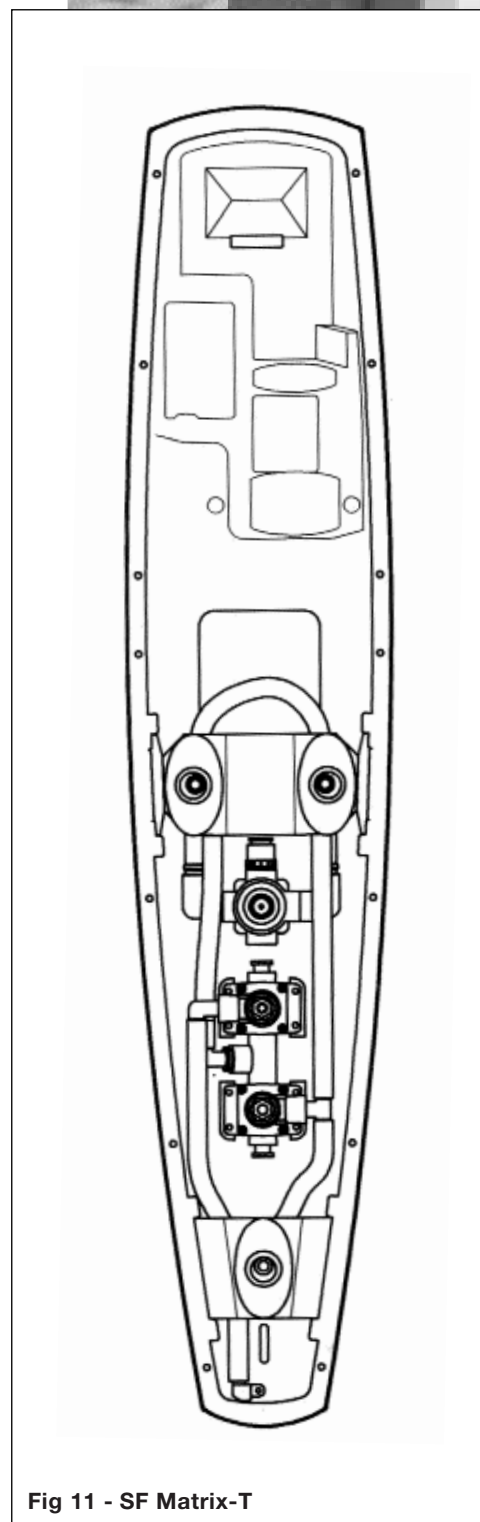
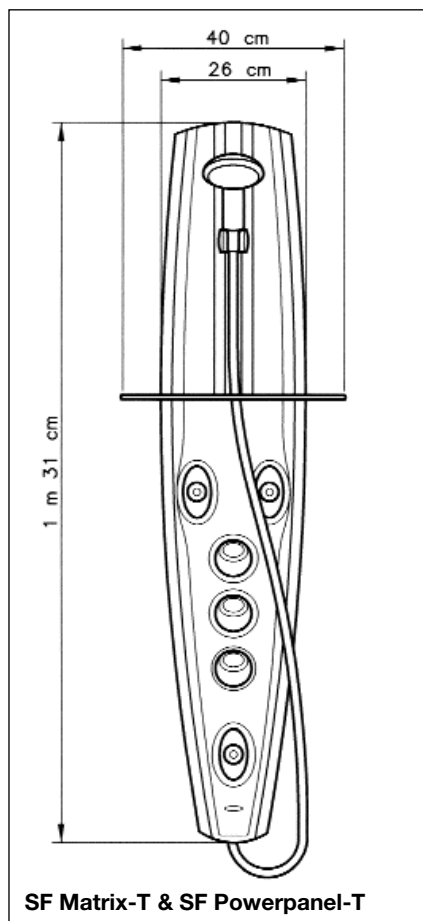


Fig 11 - SF Matrix-T

Powerpanel-T Spare Parts

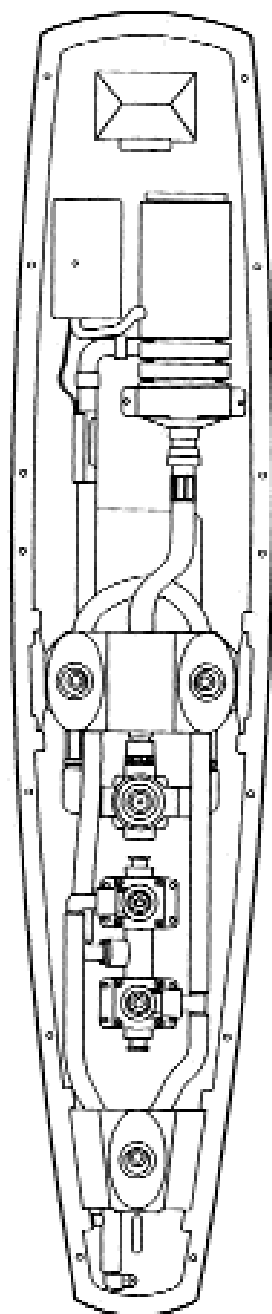


Fig 12 - SF Powerpanel-T

Part No.	Description
SP-074-0103-CP	Body Jet Assembly
SP-074-0105-CP	Temperature Knob Assembly
SP-077-0148	Thermostatic Cartridge
SP-074-0018-CL	Soap dish/gel tray
SP-76-0063-BL	Inlet Hose (Cold)
SP-76-0063-RD	Inlet Hose (Hot)
SP-074-0029	Upper Fixing Bracket
SP-074-0030	Lower Fixing Bracket
SP-074-0019*	Upper Left Trim
SP-074-0020*	Upper Right Trim
SP-074-0021*	Lower Left Trim
SP-074-0022*	Lower Right Trim
SP-280-0101*	Central Slider Assembly
SP-074-0106-CP	Selector Knob Assembly
SP-285-0006-CP	Hose 1.5
SP-134-001-CP	Handset

* Please state colour

Guarantee

Thank you for purchasing our product, which has been designed, manufactured and tested, in the U.K., to the highest standards, by NewTeam Ltd.

Guarantee. 2 Years - First Year - Parts and Labour, Second Year - Parts Only

This is provided that:

1. The guarantee registration card is completed and returned within ten days complete with a copy of proof of purchase.
2. The product is installed and operated in accordance with our instructions and has not been misused or damaged.

This in no way affects your statutory rights as a consumer.

The information on the Guarantee card helps ShowerForce to process any claims and contact you about your product and its maintenance if required. The registration of your personal details is purely for Showerforce use, and the other information helps us to make products for the future.

ShowerForce Shower products are designed, manufactured and tested to the highest standards.

Should a complaint arise, products are guaranteed against faulty workmanship and materials for a period of 12 months from the date of purchase, when in domestic use (second year guarantee is parts only). For your guarantee to be valid, your shower panel must be installed by a competent person, in accordance with the instruction manual.

ShowerForce will repair or replace (at our option), free of charge, any faulty components during the guarantee period, provided it has been maintained and operated in accordance with our instructions, and has not been misused or damaged.

Modification or repair of this product by person(s) not authorised by ShowerForce will invalidate this guarantee.

This guarantee applies to products purchased within the United Kingdom or Republic of Ireland, but does not apply to products used commercially.

This guarantee does not affect your statutory rights.

Service Policy - Replacement Parts Policy

IMPORTANT:

In the event of product or component malfunction, DO NOT tamper with or remove the product from site. Telephone ShowerForce Customer Service Department on 01536 264 012 and be prepared with the date of purchase, model number and a description of the complaint.

Our service staff are fully qualified to advise on correct installation procedures and will be able to diagnose whether the fault will require a replacement part or a visit from a ShowerForce engineer.

If required, a service call will be booked, and either yourself or an appointed representative (who should be a person of 18 years or over) must be present during the visit.

All site visits to product within the guarantee period will be carried out free of any parts or labour charges provided the conditions of the guarantee have been adhered to. (Second year guarantee is parts only)

All site visits to product out of guarantee will be subject to charges for parts and labour which is payable by you or your appointed representative at the time of the visit. Charges will also be levied on cancelled appointments, unless advised to ShowerForce at least 24 hours in advance of the agreed date and time.

We reserve the right not to undertake work where payment cannot be made to our engineer at the time of the visit.

ShowerForce hold stocks of components for all their range of products and these will be maintained for the duration of their life.

Should a product be discontinued, spare parts stocks will be maintained, but in the event of a part becoming unavailable ShowerForce reserve the right to supply a substitute of equal quality.

The following payment methods can be used to obtain spare parts:

By post, pre-payment of proforma invoice by cheque or postal order.

By telephone quoting credit card (Mastercard, Visa or Visa Delta) details.

REPLACEMENT PARTS:

Tel: 01536 409 222 • Fax: 01536 409 201 • E-Mail:spares@newteam.co.uk

CUSTOMER SERVICE HOTLINE:

Tel: 01536 264 012 • Fax: 01536 409 201 • E-Mail:service@newteam.co.uk



GUARANTEE CARD

Please post immediately enclosing a copy of proof of purchase

ShowerForce Shower Panel

- Matrix-T
- Powerpanel-T

Proof of purchase enclosed

YES NO

FOR SHOWERFORCE USE

AFFIX PRODUCT LABEL HERE

This label identifies your product and provides all the information needed

NAME:

ADDRESS:

POSTCODE:

DATE OF PURCHASE:

PRODUCT PURCHASED FROM:

TOWN:

ShowerForce/NewTeam's philosophy is to offer outstanding products with quality and integrity, please help us by taking the time to answer the following questions. Thank you.

MARKETING INFORMATION

1. Please state your profession: Plumber Builder Electrician Customer
Other (please specify) _____

2. Please state the reason for purchasing a shower: New Build Replacement
Renovation Other (please specify) _____

3. If the product is a replacement shower, please state the type and make of the shower it is replacing: _____

4. What influenced you to purchase the Showerforce Matrix-T/Powerpanel-T? Advertisement

Trade Press Recommendation from Stockist Recommendation from Installer
Other (please specify) _____

5. Please state your main reason for purchasing the Showerforce Matrix-T/Powerpanel-T:
ShowerForce Product Knowledge Product Features Product Styling Price
Other (please specify) _____

Please tick here if you do not require any further information or product updates from NewTeam

POST BACK

FOLD AND TAPE AS INSTRUCTED OVERLEAF

Please tape down

Please tape down

3rd Fold

Affix
Stamp

1st Fold

NewTeam Ltd.

Customer Service Dept.

Brunel Road

Earlstrees Industrial Estate

Corby

Northants

NN17 4JW

2nd Fold